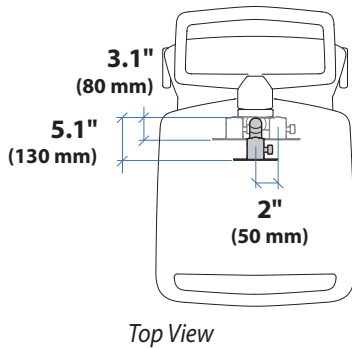
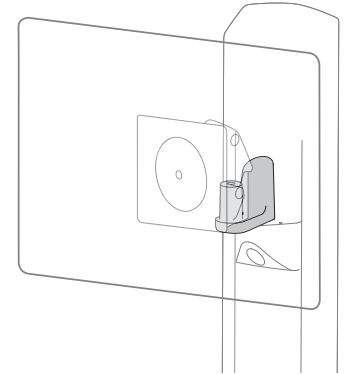
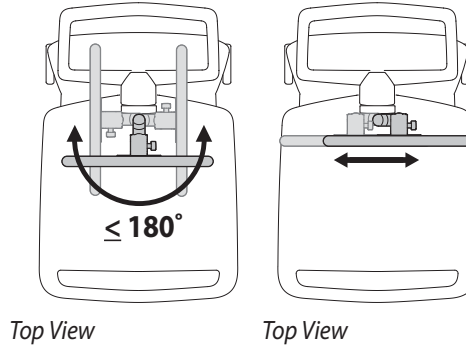


# StyleView® LCD Pan Accessory

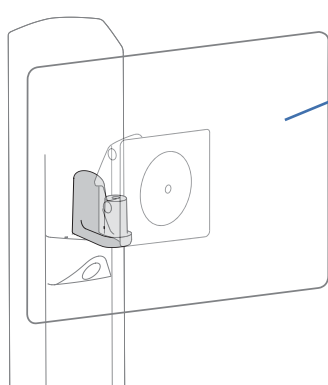
## Dimensions



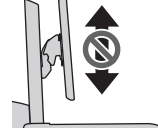
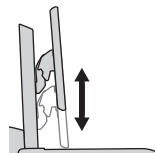
## Range of Motion



## Weight Capacity



### Side View



**With Independent LCD Lift:**  
SV31/ SV42 LiFe: 6-10 lbs (2.7-4.5 kg)  
SV32/SV41: 6-15 lbs (2.7-6.8 kg)  
SV42 SLA: 5-14 lbs (2.3-6.4 kg)

**Without Independent LCD Lift:**  
SV31/SV42 LiFe: ≤ 10 lbs (4.5 kg)  
SV32/SV32 LiFe/SV41/SV42 SLA: ≤ 15 lbs (6.8 kg)

**Only one drawer should be opened at a time.**

### SV31 Carts:

If the combined LCD and CPU weight is greater than 20 lbs (9 kg) then the CPU must be mounted to the rear of the cart using the Universal CPU Holder accessory (ordered separately).

### SV32/SV41/SV42 LiFe Carts:

If the combined LCD and CPU weight is greater than 23 lbs (10.4 kg) then the CPU must be mounted to the rear of the cart using the Universal CPU Holder accessory (ordered separately).

### SV42 SLA Carts:

If the combined LCD and CPU weight is greater than 27 lbs (12.2 kg) then the CPU must be mounted to the rear of the cart using the Universal CPU Holder accessory (ordered separately).