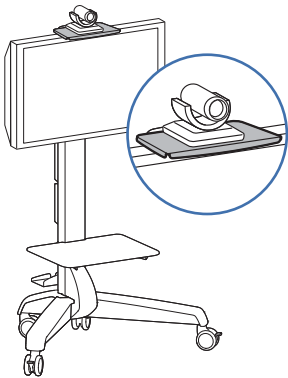
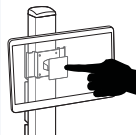
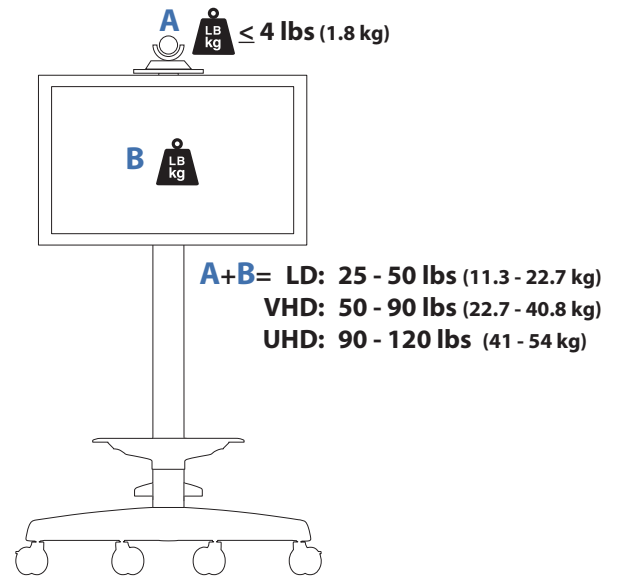
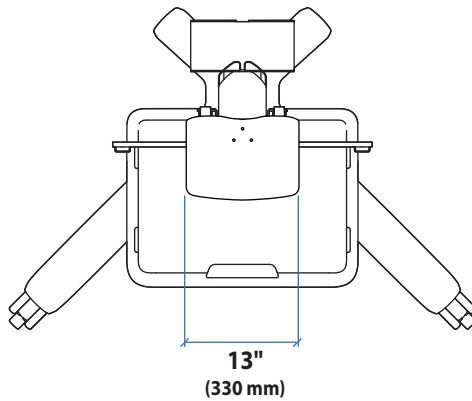
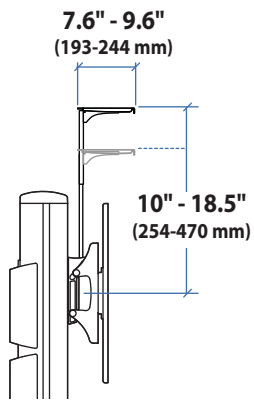


MMC Camera Shelf Kit




 Camera Shelf is not compatible with the MMC LD 25 - 36 lbs (11.3 - 16 kg) display mount configuration.



© 2009 Ergotron, Inc. rev. 08/26/2019 DIM-MMC-CameraShelf **Content is subject to change without notification**

Americas Sales and Corporate Headquarter	EMEA Sales	APAC Sales	Worldwide OEM Sales
St. Paul, MN USA (800) 888-8458 +1-651-681-7600 www.ergotron.com sales@ergotron.com	Amersfoort, The Netherlands +31 33 45 45 600 www.ergotron.com info.eu@ergotron.com	Tokyo, Japan www.ergotron.com apaccustomerservice@ergotron.com	www.ergotron.com info.oem@ergotron.com