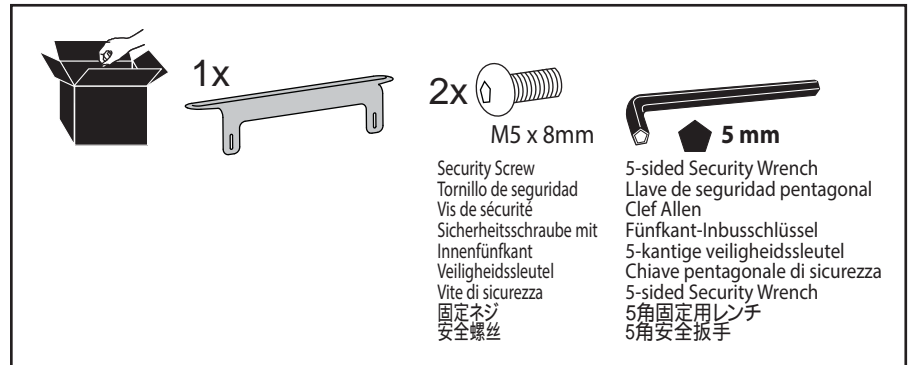
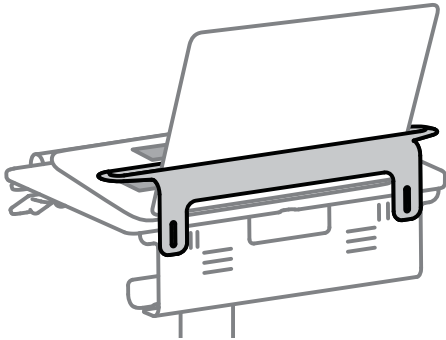
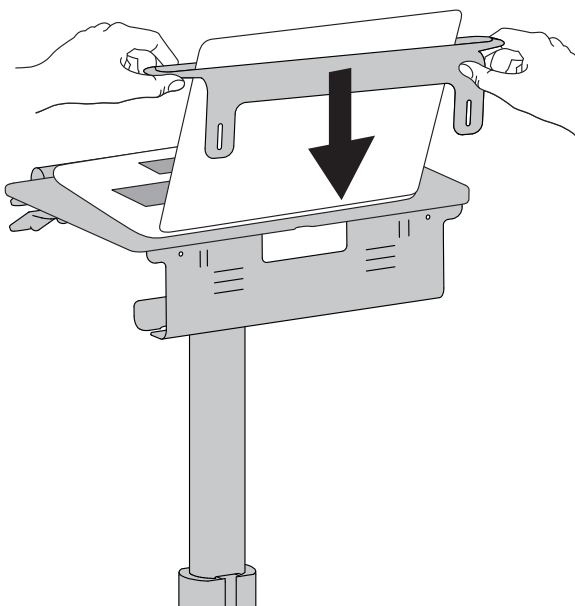


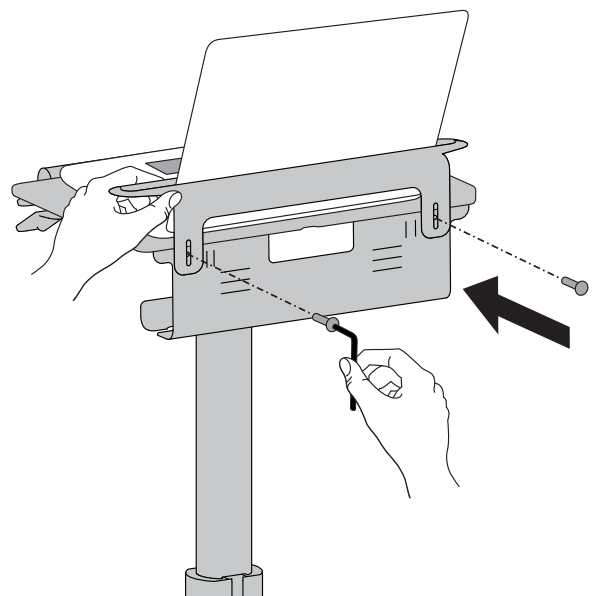
LAPTOP BRACKET



1



2



For Warranty visit: www.ergotron.com/warranty

For Service visit: www.ergotron.com

For local customer care phone numbers visit: <http://contact.ergotron.com>

Para Garantía, visite: www.ergotron.com/warranty

Para servicio, visite: www.ergotron.com

Para conocer los números telefónicos locales de atención al cliente, visite: <http://contact.ergotron.com>

Pour la garantie, visitez: www.ergotron.com/warranty

Pour le service client, visitez: www.ergotron.com

Pour les numéros de téléphone du service client local, visitez : <http://contact.ergotron.com>

Für Garantie Besuch: www.ergotron.com/warranty

Für Servicebesuch: www.ergotron.com

Örtliche Telefonnummern für den Kundendienst finden Sie hier: <http://contact.ergotron.com>

Ga voor garantie naar: www.ergotron.com/warranty

Ga voor service naar: www.ergotron.com

Plaatselijke telefoonnummers voor de klantendienst kunt u vinden op: <http://contact.ergotron.com>

Per la garanzia visitare: www.ergotron.com/warranty

Per assistenza visitare: www.ergotron.com

Per conoscere i numeri di telefono dell'assistenza clienti locale, visitare: <http://contact.ergotron.com>

För garanti, gå till: www.ergotron.com/warranty

För service, gå till: www.ergotron.com

För lokala kundtjänstnummer, gå till: <http://contact.ergotron.com>

保証書をご覧ください: www.ergotron.com/warranty

サービスをご覧ください: www.ergotron.com

最寄りのカスタマーケアの電話番号については、こちらをご覧ください: <http://contact.ergotron.com>

为 保证 参观: www.ergotron.com/warranty

对于 上门服务: www.ergotron.com

若 需 当地 客户 服务 电话 号码 , 请 访问 : <http://contact.ergotron.com>

**Americas Sales and
Corporate Headquarters**

1181 Trapp Rd.
St. Paul, MN USA
(800) 888-8458
+1-651-681-7600
www.ergotron.com
sales@ergotron.com

EMEA Sales

Amersfoort, The Netherlands
+31 33 45 45 600
www.ergotron.com
info.eu@ergotron.com

APAC Sales

Tokyo, Japan
www.ergotron.com
apaccustomerservice@ergotron.com

Worldwide OEM Sales

www.ergotron.com
info.oem@ergotron.com

ERGOTRON®

While Ergotron, Inc. makes every effort to provide accurate and complete information on the installation and use of its products, it will not be held liable for any editorial errors or omissions (including those made in the process of translation from English to another language), or for incidental, special or consequential damages of any nature resulting from furnishing this instruction and performance of equipment in connection with this instruction. Ergotron, Inc. reserves the right to make changes in the product design and/or product documentation without notification to its users. For the most current product information, or to know if this document is available in languages other than those herein, please contact Ergotron. No part of this publication may be reproduced, stored in a retrieval system, or transmitted in any form or by any means, electronic, mechanical, photocopying, recording or otherwise without the prior written consent of Ergotron, Inc., 1181 Trapp Road, Eagan, Minnesota, 55121, USA. Patents Pending and Patented U.S. & Foreign. Ergotron is a registered trademark of Ergotron, Inc.

© 2015 Ergotron, Inc. All rights reserved.