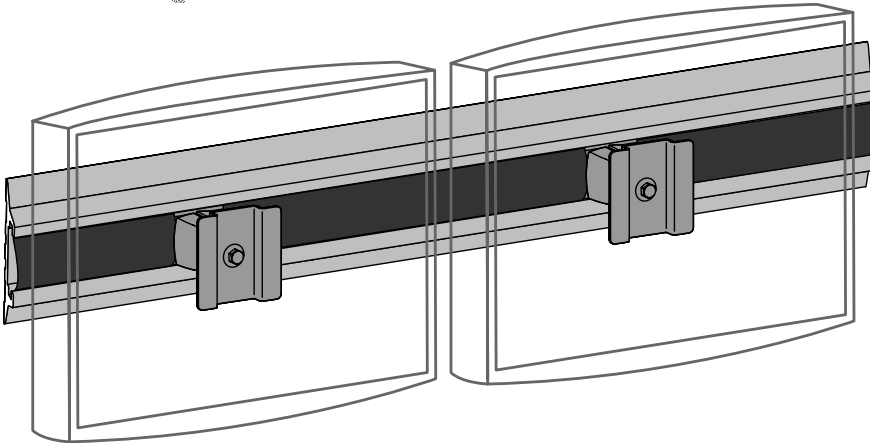

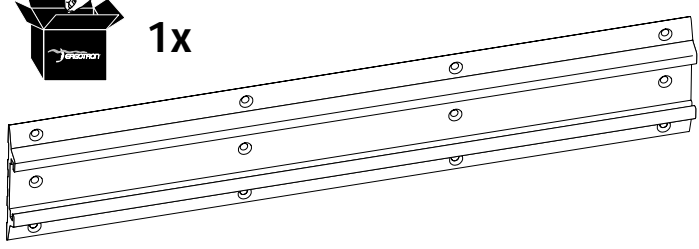


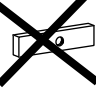

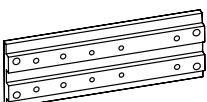
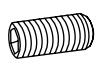
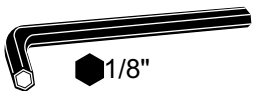

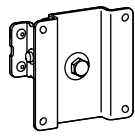
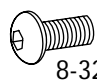

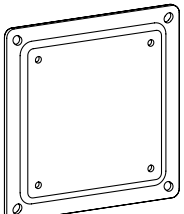
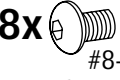

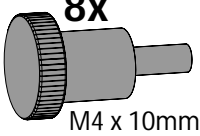
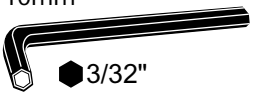


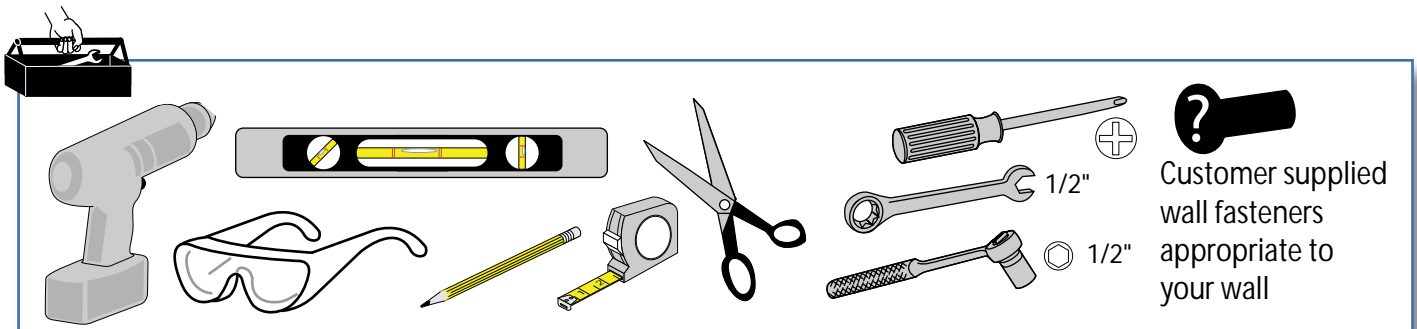
Neo-Flex Dual Display Wall Mount



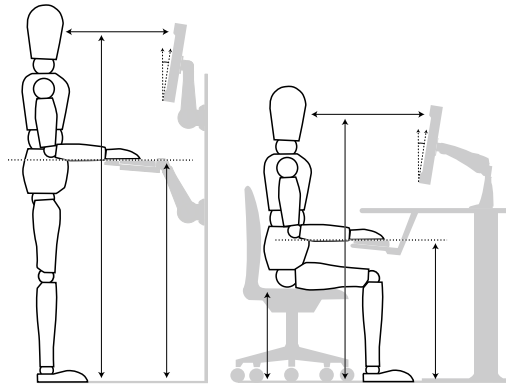
IMPORTANT: Use This User's Guide!

This product is made up of several individual products. Use this User's guide for this installation and discard the instructions that come in the individual boxes.

		A			
1	 1x 	2x		1x  set screw 1x 	
3	 2x 	8x	 set screw	 1/8"	
4	 2x 	8x  8-32 x 5/16"	4x 	2x  75-100mm	8x  #8-32 8x  M4 x 10mm 8x  M4 x 10mm  3/32"



1 Determine Ergonomic Mounting Height



2 Attach to Wall

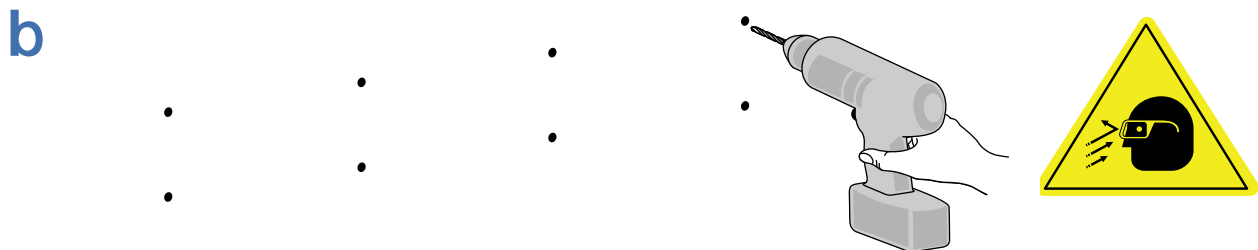
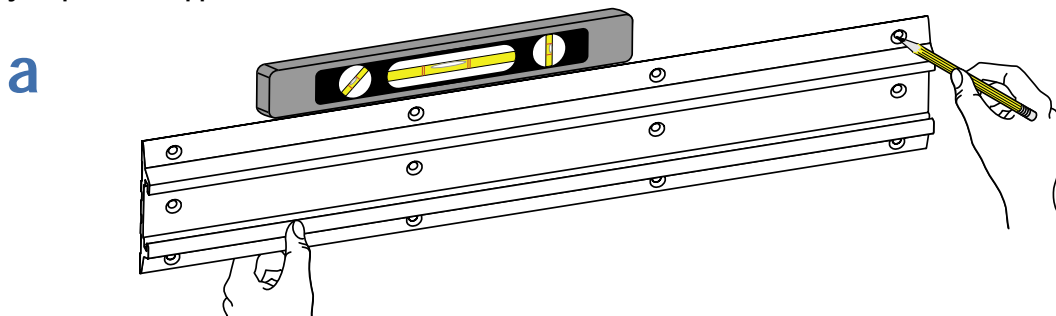


Ergotron hardware kit or customer supplied wall fasteners appropriate to your wall

Use the appropriate Ergotron hardware kit (sold separately) or your own hardware to mount the Track to the wall. You may use all or some of the mounting holes depending on your application - see WARNING below.

⚠ WARNING:

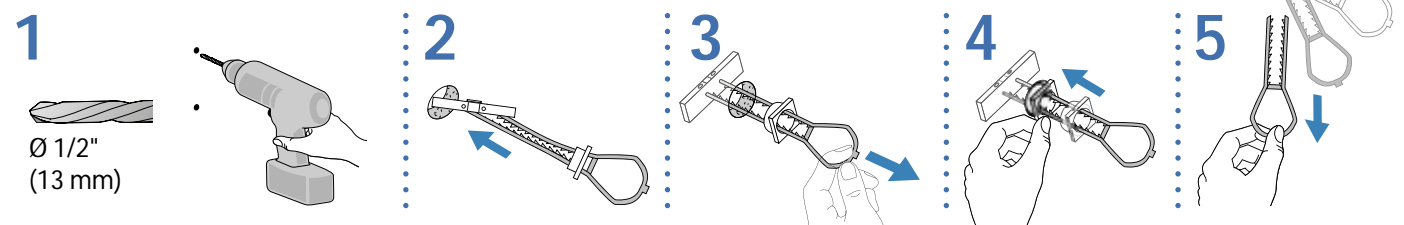
Ensure that the wall structure is capable of supporting four times the total weight of mounted equipment. Mounting to wall surfaces that do not meet this criteria may result in an unstable, unsafe condition which could lead to personal injury and/or property damage. Consult a construction professional if you have any doubt about what this means in regard to your particular application.



Wall Anchor Hardware (sold separately)

If, after consulting with appropriate local engineering, architectural, or construction personnel it is determined that wall anchor hardware should be used, refer to the following instructions.

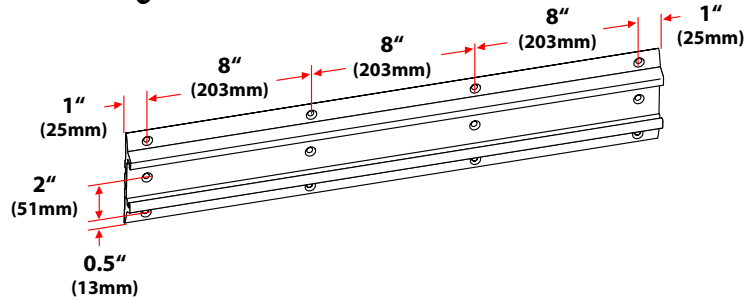
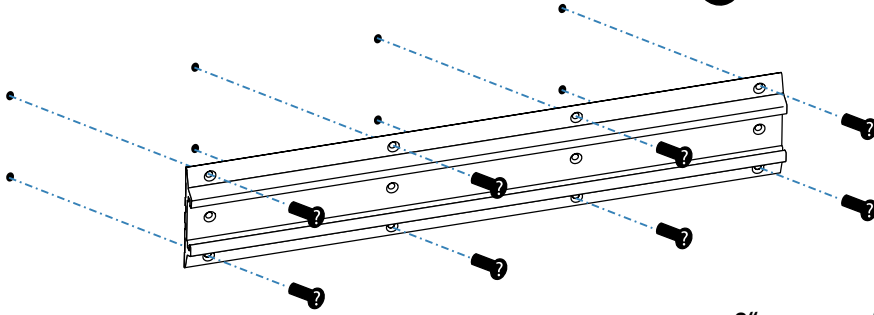
1. Use a 1/2" (13mm) drill bit to drill holes.
2. Push anchor plate into hole.
3. Pull loop back so plate opens flat against inside surface of wall.
4. Push collar into hole.
5. Snap off loop.



C



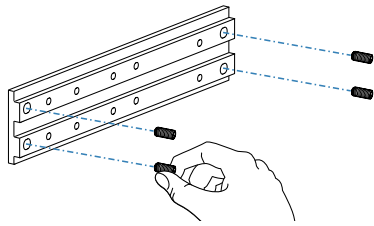
Ergotron hardware kit or customer supplied wall fasteners appropriate to your wall



3 Attach Pivots to Brackets

a

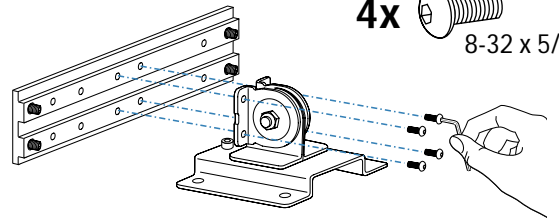
4x set screw



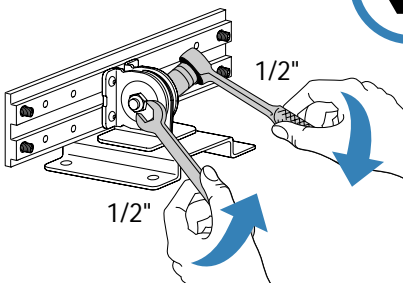
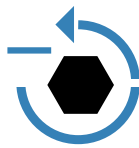
b



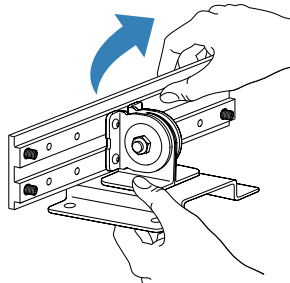
4x 8-32 x 5/16"



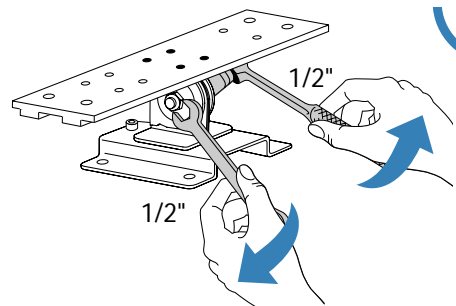
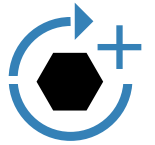
c



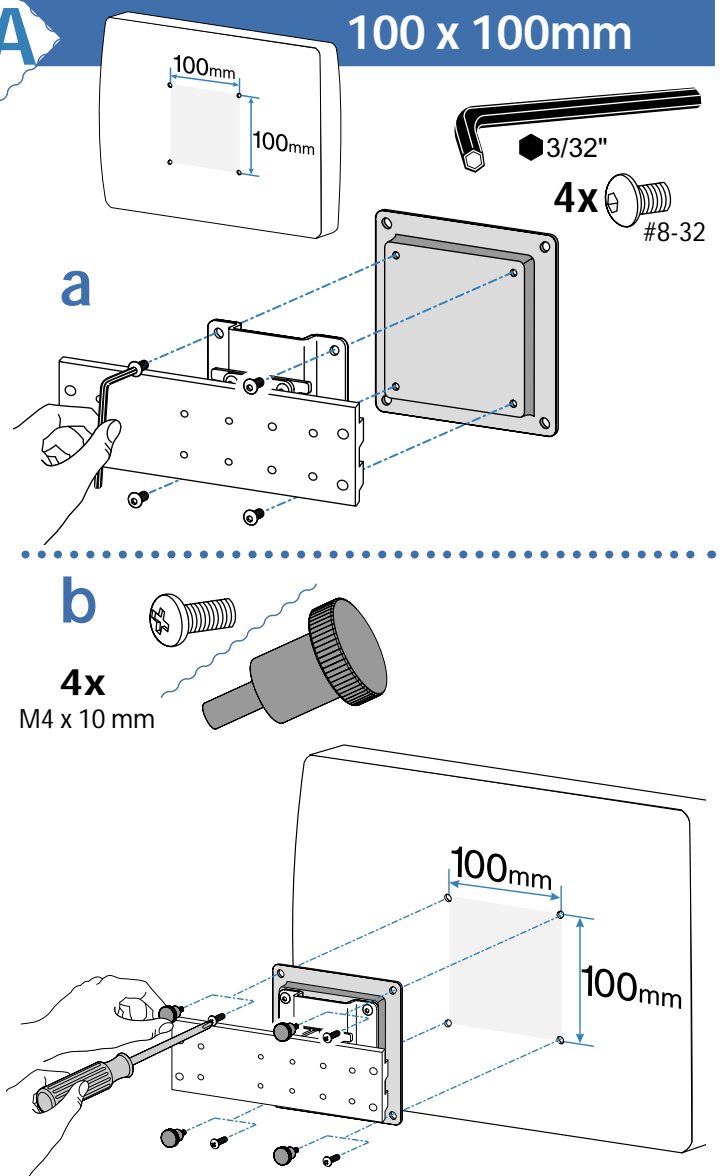
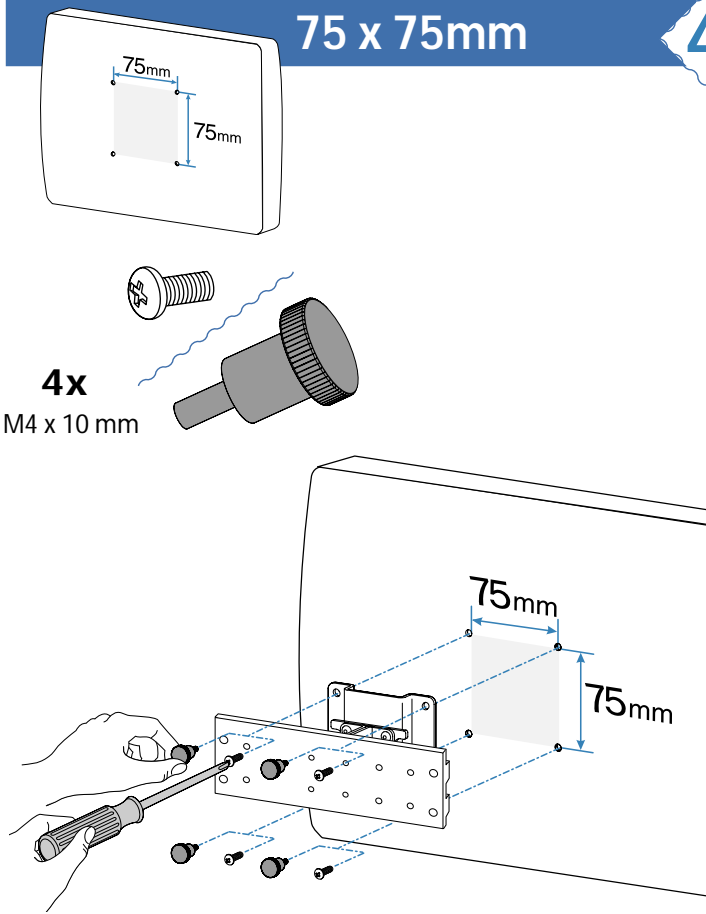
d



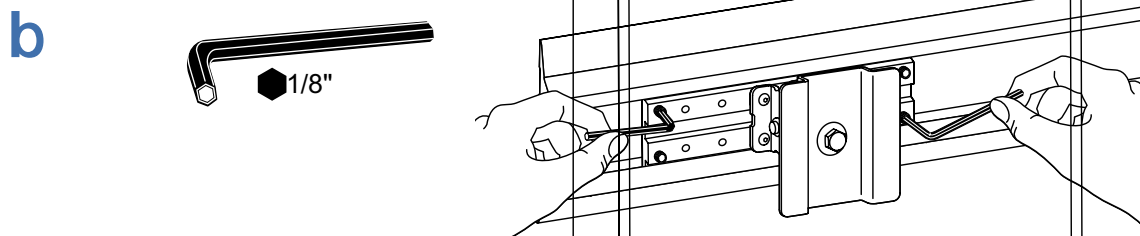
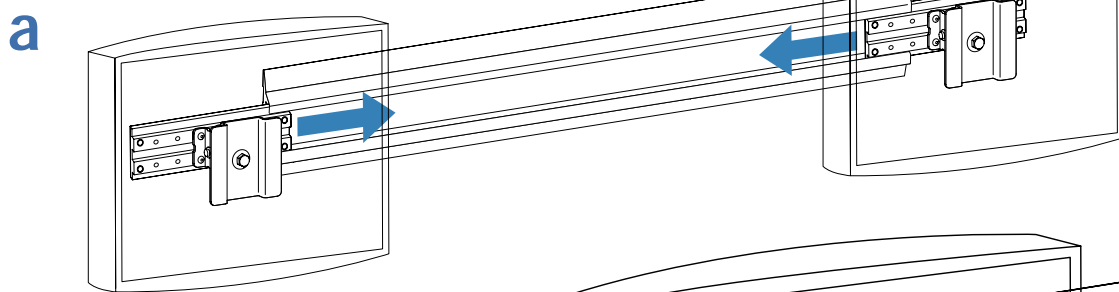
e



4 Attach Displays



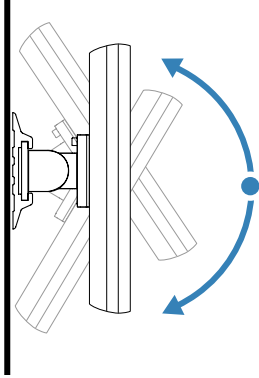
5 Attach Displays to Wall Bracket



8 Range of Motion

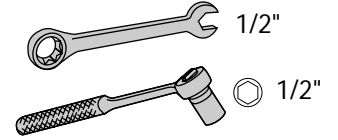
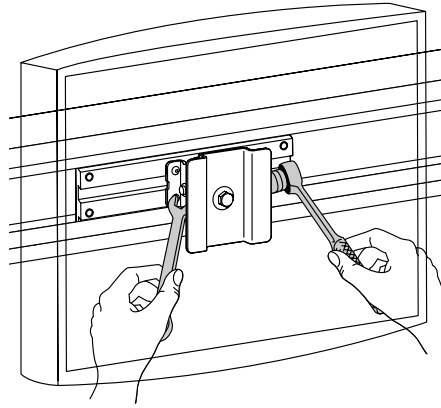
This product is designed to adjust quickly and easily according to your needs – refer to following steps for adjustment.

a Tilt – Forward and Backward

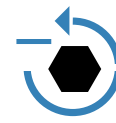


Adjust Tilt – Forward and Backward

If it does not stay in place or movement is stiff, tension needs adjustment. Adjust until motion is equal.

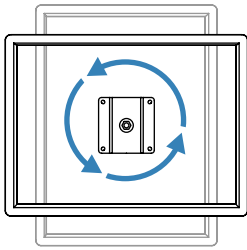


To increase tension - Turn Clockwise



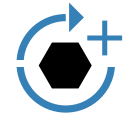
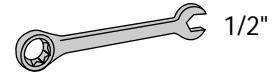
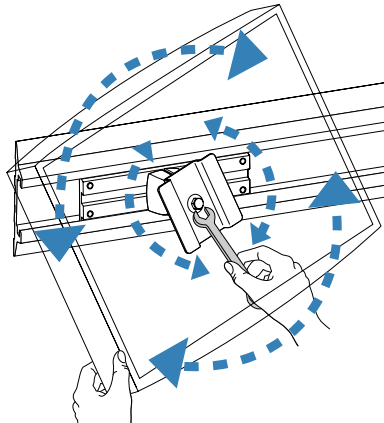
To decrease tension - Turn Counterclockwise

b Rotate - Portrait/Landscape



Adjust Rotate – Portrait/Landscape

If it does not stay in place or movement is stiff, tension needs adjustment. Adjust until motion is equal.

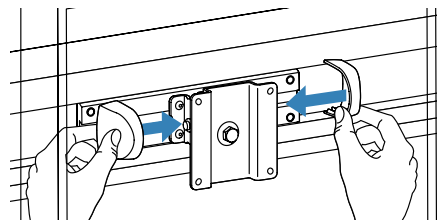


To increase tension - Turn Clockwise

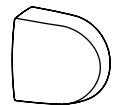


To decrease tension - Turn Counterclockwise

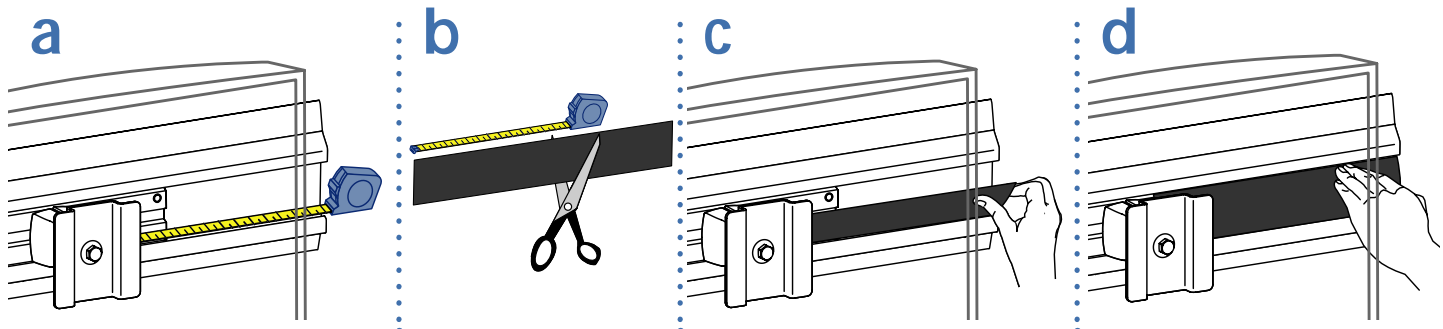
9 Attach Pivot Covers



2x



10 Attach Cable Management



Ergotron Warranty

Ergotron warrants that its products will remain free of defects in material and workmanship for five (5) years. All subject to the exceptions, exclusions and limitations as set forth below.

Exceptions to this warranty include:

- Three (3) year warranty on all Neo-Flex™ by Ergotron products
- One (1) year warranty on all power supply components by Ergotron; battery carries a 90 day performance warranty and six (6) month warranty against manufacturer defects.
- OEM products resold by Ergotron are warranted by the respective manufacturer

Exclusive Remedy: If any Ergotron equipment is or becomes defective in material or workmanship during the warranty period, Ergotron, at its sole discretion, may replace or repair the unit at a designated Ergotron location or at the customer location. The purchaser must get pre-approved authorization to return product to Ergotron. The Purchaser must contact Ergotron to obtain an RMA (Return Material Authorization) number. Ergotron will promptly repair or replace the item and ship it to Purchaser at no charge to the Purchaser. Performance of repair or replacement does not renew or extend the warranty period.

THIS REMEDY IS THE EXCLUSIVE REMEDY FOR BREACH OF WARRANTY AS TO THE EQUIPMENT, except in respect to the personal injury. Purchaser shall give Ergotron immediate written notice of any personal injury resulting from use of Ergotron equipment.

Exclusions and Limitations: Ergotron disclaims liability for injuries or losses caused by or associated with installation or use of its equipment in any manner other than in strict conformance with the instructions set forth in its installation manuals, supplemental assembly and installation instruction sheets, technical bulletins or product literature or by equipment that has been altered, damaged or misused.

Warranty on fully charge batteries left in an unused state for more than three (3) consecutive months is automatically void.

Warranty on fully discharged batteries left in an unused state for more than three (3) consecutive days is automatically void.

Purchaser has not relied upon and Ergotron disclaims any and all warranties other than the expressed warranty stated above, subject to the exclusions and limitations provided herein. Ergotron disclaims all other warranties, expressed or implied, including but not limited to the warranties of merchantability and fitness for a particular purpose.

Ergotron further disclaims liability to purchaser and all others for all consequential, incidental and special damages caused by or in connection with the products, their use or misuse, and their performance or nonperformance.

821-842-00

For Warranty information in other languages contact customer service.



USA 1-800-888-8458

Europe +31 (0)33-45 45 600

Ergotron, Inc.

World Headquarters
1181 Trapp Road, St. Paul, MN 55121 USA
Phone: 1-800-888-8458
Fax: 651-681-7717;
E-mail: sales@ergotron.com
Visit our website: www.ergotron.com

Ergotron Europe

Beeldschermweg 3
3821 AH Amersfoort
The Netherlands
Tel: +31 (0)33-45 45 600
Fax: +31 (0)33-45 45 649
Visit our website: www.ergotron-europe.com

Ergotron Canada

2000 Argentinia Road Plaza IV, Suite 290
Mississauga, Ontario L5N 1W1, Canada
Phone: 1-800-267-9912
Fax: 1-905-567-4570;
E-mail: info.ca@ergotron.com



© 2006 Ergotron, Inc.
All rights reserved.

While Ergotron, Inc. makes every effort to provide accurate and complete information on the installation and use of its products, it will not be held liable for any editorial errors or omissions (including those made in the process of translation from English to another language), or for incidental, special or consequential damages of any nature resulting from furnishing this instruction and performance of equipment in connection with this instruction. Ergotron, Inc. reserves the right to make changes in the product design and/or product documentation without notification to its users. For the most current product information, or to know if this document is available in languages other than those herein, please contact Ergotron Customer Care at: 800-888-8458 or consult the Ergotron, Inc. website at: www.ergotron.com. No part of this publication may be reproduced, stored in a retrieval system, or transmitted in any form or by any means, electronic, mechanical, photocopying, recording or otherwise without the prior written consent of Ergotron, Inc., 1181 Trapp Road, Eagan, Minnesota, 55121, USA Patents Pending and Patented U.S. & Foreign. Ergotron is a registered trademark of Ergotron, Inc.